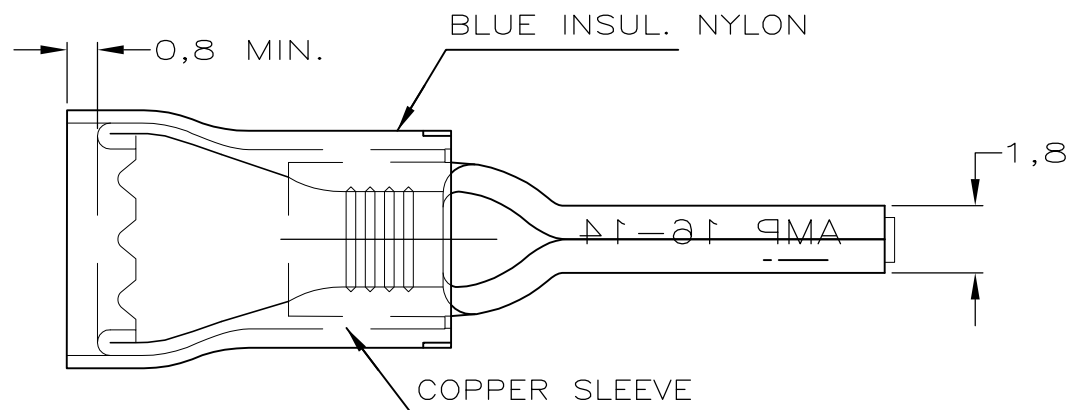
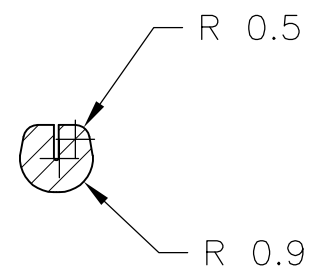
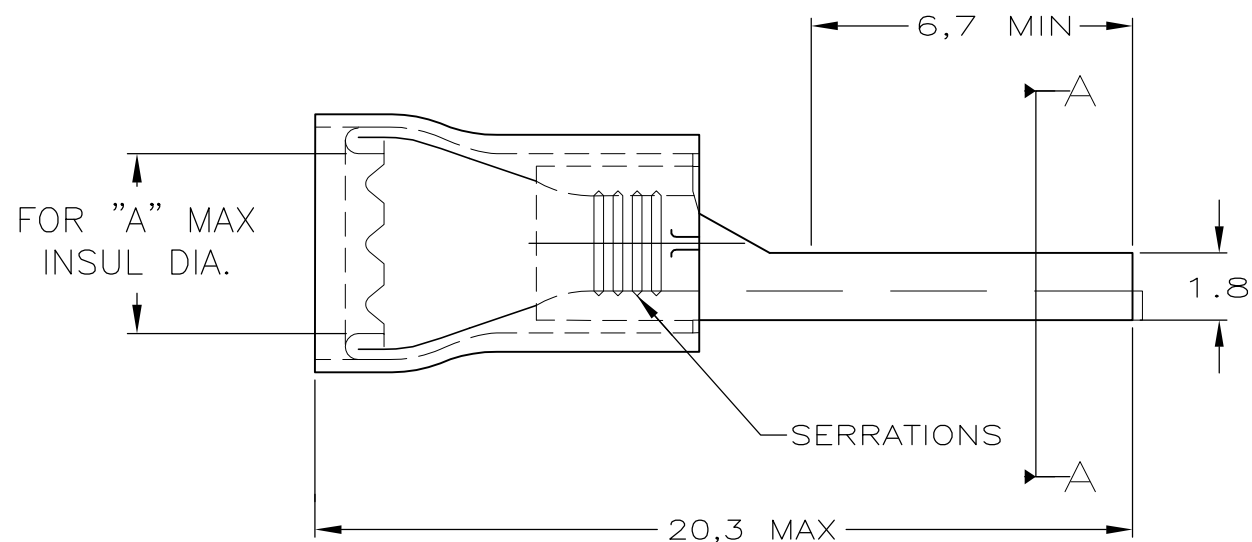


THIS DRAWING IS UNPUBLISHED. RELEASED FOR PUBLICATION
 © COPYRIGHT - BY TYCO ELECTRONICS CORPORATION. ALL RIGHTS RESERVED.

LOC	DIST	REVISIONS					
G	86	P	LTR	DESCRIPTION	DATE	DWN	APVD
		G		REV PER ECR 07-023647	12OCT07	JR	TM



WIRE RANGE:
 1.0-2.6mm²
 (16-14 AWG)
 INSULATION RANGE:
 "A" MAX



SECTION A - A

2-165046-1	165046
PART NO ON TAPE	PART NO

1000	4.6	TIN PLATED	COPPER	165046-1
1000	4.3	TIN PLATED	COPPER	165046
PACKAGE QTY	DIM "A"	FINISH	MATERIAL	PART NO

THIS DRAWING IS A CONTROLLED DOCUMENT.		DWN JR RUTH 01JUN07	Tyco Electronics Corporation Harrisburg, Pa 17105-3608		
DIMENSIONS: mm		CHK T MICHIELUTTI 01JUN07			
		APVD T MICHIELUTTI 01JUN07	PRODUCT SPEC -		
TOLERANCES UNLESS OTHERWISE SPECIFIED:		APPLICATION SPEC -		RESTRICTED TO -	
MATERIAL -		WEIGHT -		SIZE A3	
FINISH -		CUSTOMER DRAWING		CAGE CODE 00779	
		SCALE 5:1		DRAWING NO G-165046	
		SHEET 1 OF 1		REV G	